

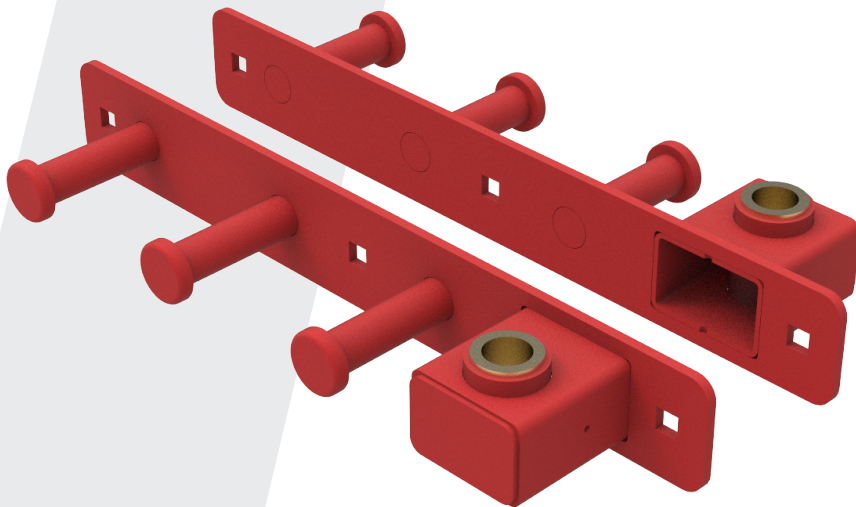


BOLT ON BAND PEG WITH RECEPTACLE

Enhance Your squat rack and upgrade your workouts with these easily attachable band pegs with a built-in receptacle. Use with landmine attachment (709007, sold separately) and additional band pegs. Band pegs with receptacle sold as a pair.

Features:

- 3 Pegs Per Side
- 5" Spacing Between Pegs
- 3.63" Peg Length With Mushroom Head
- Easily Secure To Rack With Carriage Bolt Fasteners
- Bolts Into 3" Tubing
- Intensive Multi-Stage Pretreatment Process For Long-Lasting Powder-Coat Finish
- Textured Or Gloss Powder Coated Finish Available
- Custom Color-Matching Options Available

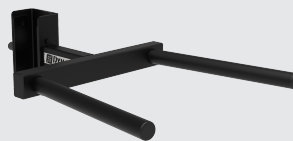


PICK YOUR COLORS!
Textured or gloss powder coated finish
COLOR-MATCHING ALSO AVAILABLE.

A full line of add-on equipment:

MORE STRENGTH PER SQUARE FOOT™

Maximize your Rack or Rig performance with many accessory & attachment options.



Dip Station



Split Squat Roller



Band Peg Accessories

709068

Ultra Pro™ Attachment BOLT ON BAND PEG WITH RECEPTACLE

Specifications:

COMPONENTS: 1/4" Steel Plate
1" Diameter Band Peg with 1.5" Diameter
Mushroom Head

WEIGHT: 18.71 LBS

DIMENSIONS: 3.88" W x 2.75" H x 20" L

