

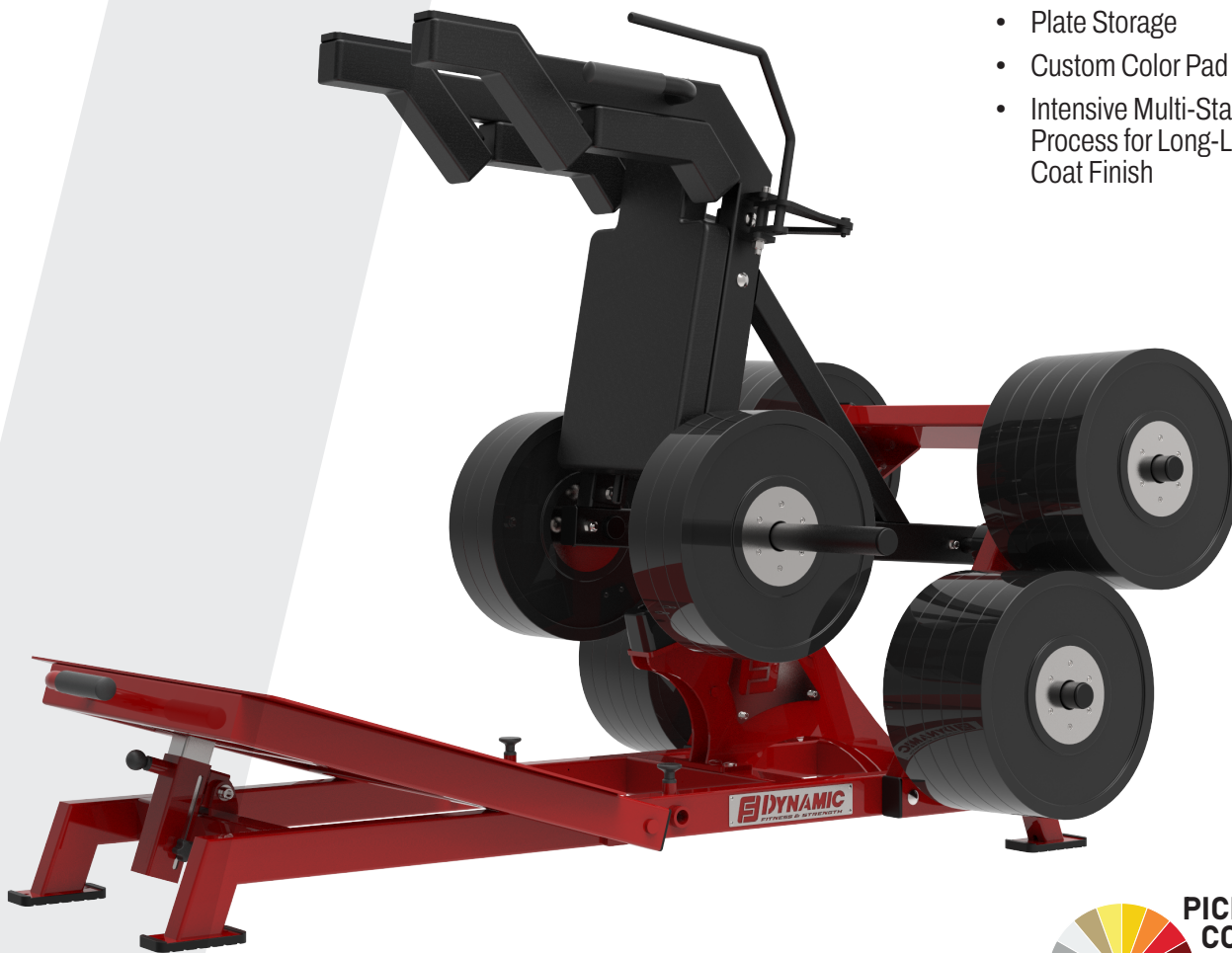


Plate-Loaded Line POWER SQUAT

A tremendous piece of equipment for those who like big squatting. This unit gives the option for power squat, hack squat, and power press. The adjustable platform, while offering proper footing for each movement, also helps those with ankle and hip deficiencies by adjusting the stance angle. Plate storage added to the unit provides additional function and convenience in the weight room. Designed by Rae Crowther.

Features:

- Adjustable Platform Angle
- Plate Storage
- Custom Color Pad Options
- Intensive Multi-Stage Pretreatment Process for Long-Lasting Powder-Coat Finish



PICK YOUR COLORS!
Textured or gloss powder coated finish
COLOR-MATCHING ALSO AVAILABLE.

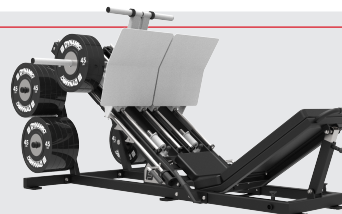
A full line of plate-loaded equipment:

MORE STRENGTH PER SQUARE FOOT™

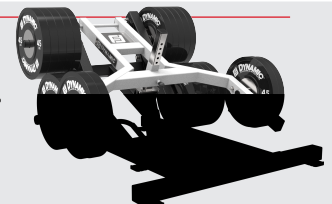
Ask about our full catalog of premium strength equipment and accessories.



Inverse Curl



Bilateral Leg Press



Pro Dead Lift

714005

Plate-Loaded Line POWER SQUAT

Specifications:

FRAME: 2" X 3" 11-Gauge Structural Steel Tubing

WEIGHT: 475 LBS

COMPONENTS: Linear Bearings
Chrome Guide Rods

DIMENSIONS: 52" W x 61" H x 79" L

