

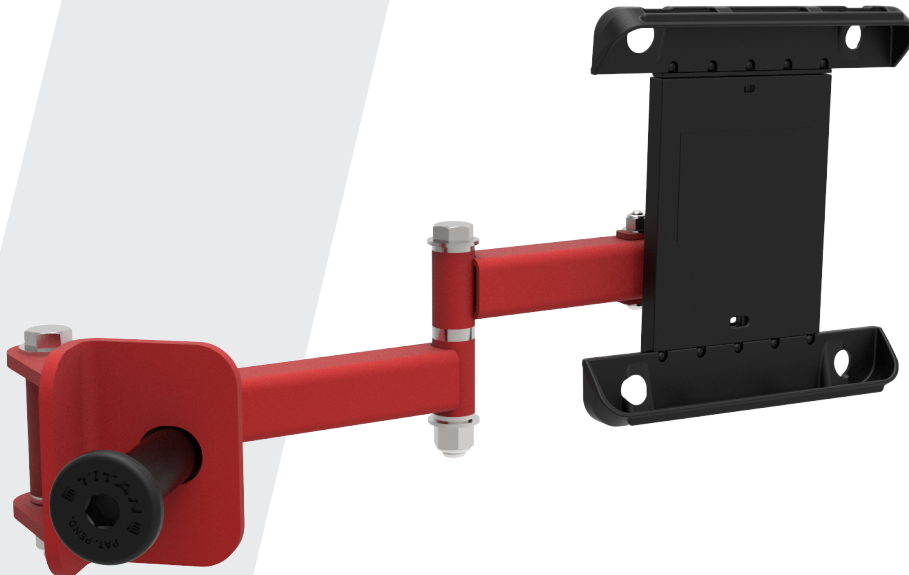


# TABLET MOUNT

Securely display your tablet with this rack mounted tablet holder. Features three different pivot points to easily position your tablet in the exact location with the peace of mind its not going anywhere.

## Features:

- Bronze Bushings
- Titan Mating Bolt To Secure To Upright
- Holds Tablets 7 3/8" Wide And Lengths Between 8 3/8" - 11 3/8"
- Intensive Multi-Stage Pretreatment Process For Long-Lasting Powder-Coat Finish
- Textured Or Gloss Powder Coated Finish Available
- Custom Color-Matching Options Available



**PICK YOUR COLORS!**  
Textured or gloss powder coated finish  
**COLOR-MATCHING ALSO AVAILABLE.**

**A full range of storage options:**

**MORE STRENGTH PER SQUARE FOOT™**

Store your equipment with a variety of options that work best with your facility.



Storage Units



Annex Storage Options



Bumper and Bar Storage Options

709153A

Storage Line

# TABLET MOUNT

## Specifications:

**FRAME:** 11-Gauge Steel Tubing

**WEIGHT:** 6.48 LBS

**DIMENSIONS:** 8" W x 9.87" H x 21" L

