

Tools Required:

3/4" Standard Socket

3/8" Drive Ratchet

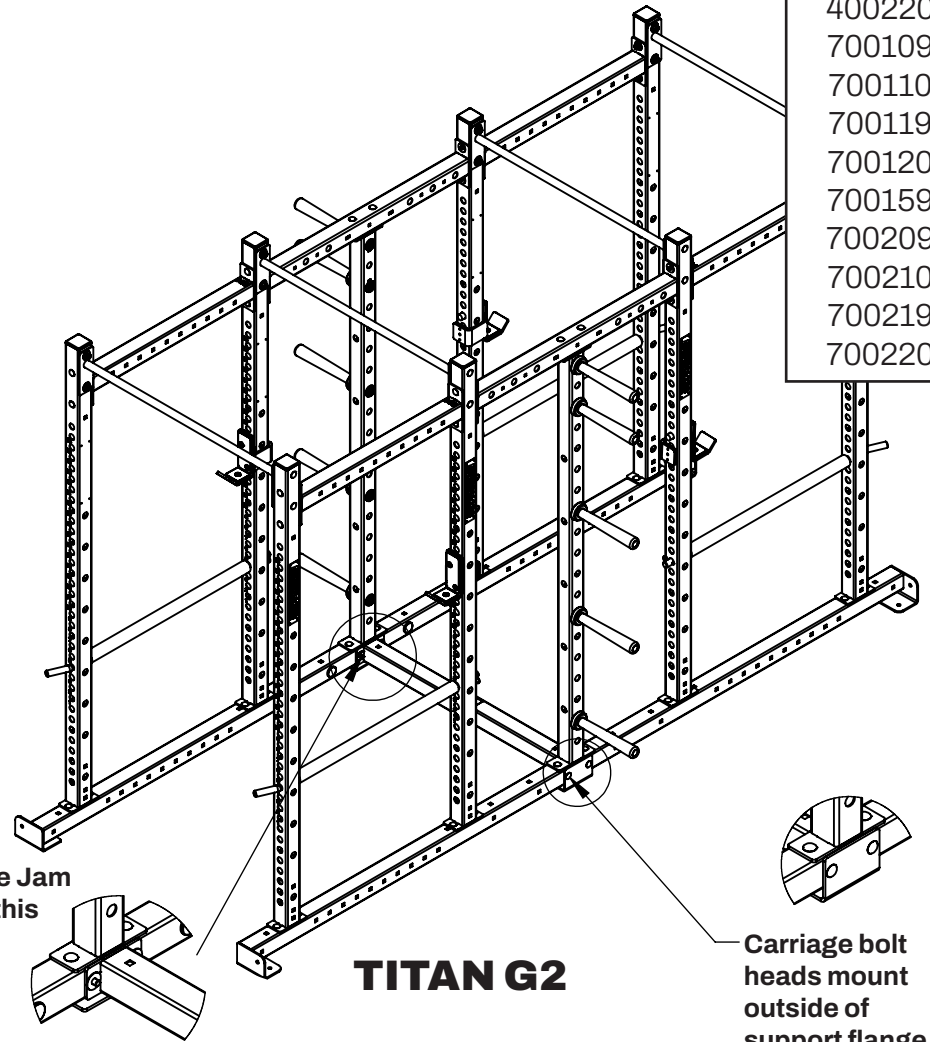
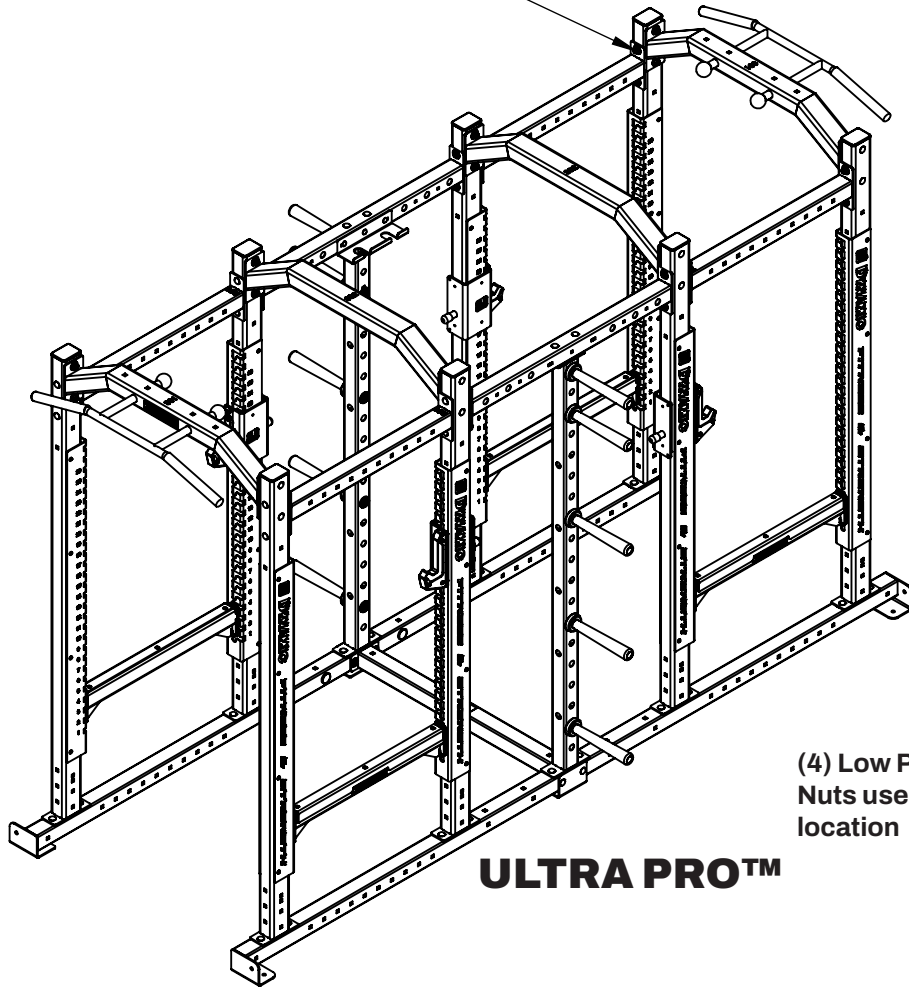
3/4" Combination End Wrench

DOUBLE POWER RACK ASSEMBLY INSTRUCTIONS
SINGLE & DOUBLE POST

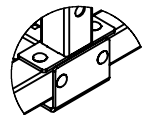
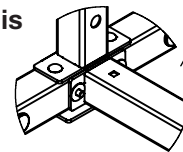
Models:

- 400119
- 400120
- 400219
- 400220
- 700109
- 700110
- 700119
- 700120
- 700159
- 700209
- 700210
- 700219
- 700220

*Mounting of horizontal connector
Use 5" bolts on ULTRA PRO™
Use 4" bolts on TITAN G2



(4) Low Profile Jam Nuts used at this location



Carriage bolt heads mount outside of support flange

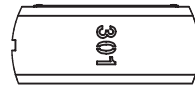
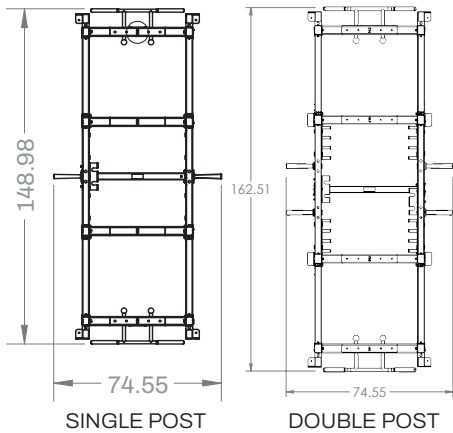


844-678-7447

www.MyDynamicFitness.com

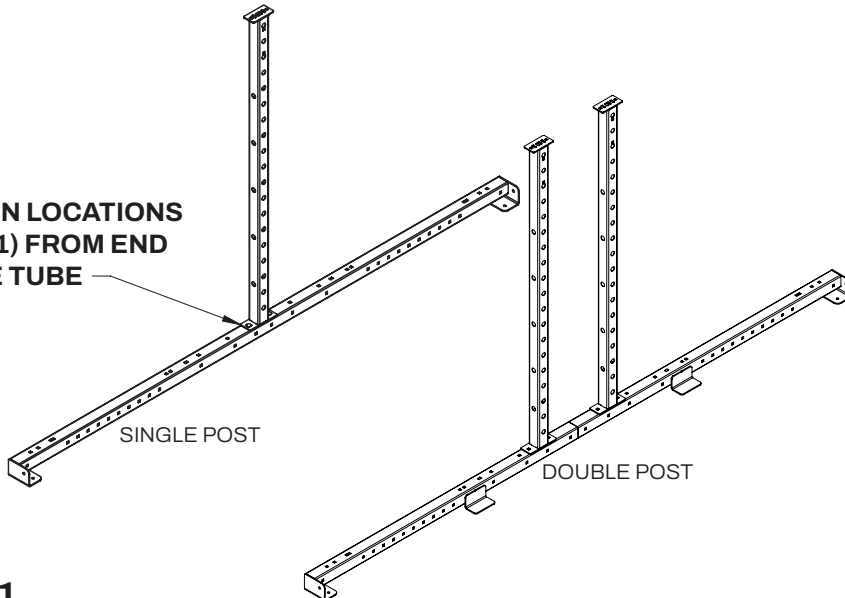
Before assembling this rack:

Consider how much space will be required around the unit to access weights and not interfere with other equipment.



All parts have a part number. Position the part number to be covered by its mating component or up as shown in this view.

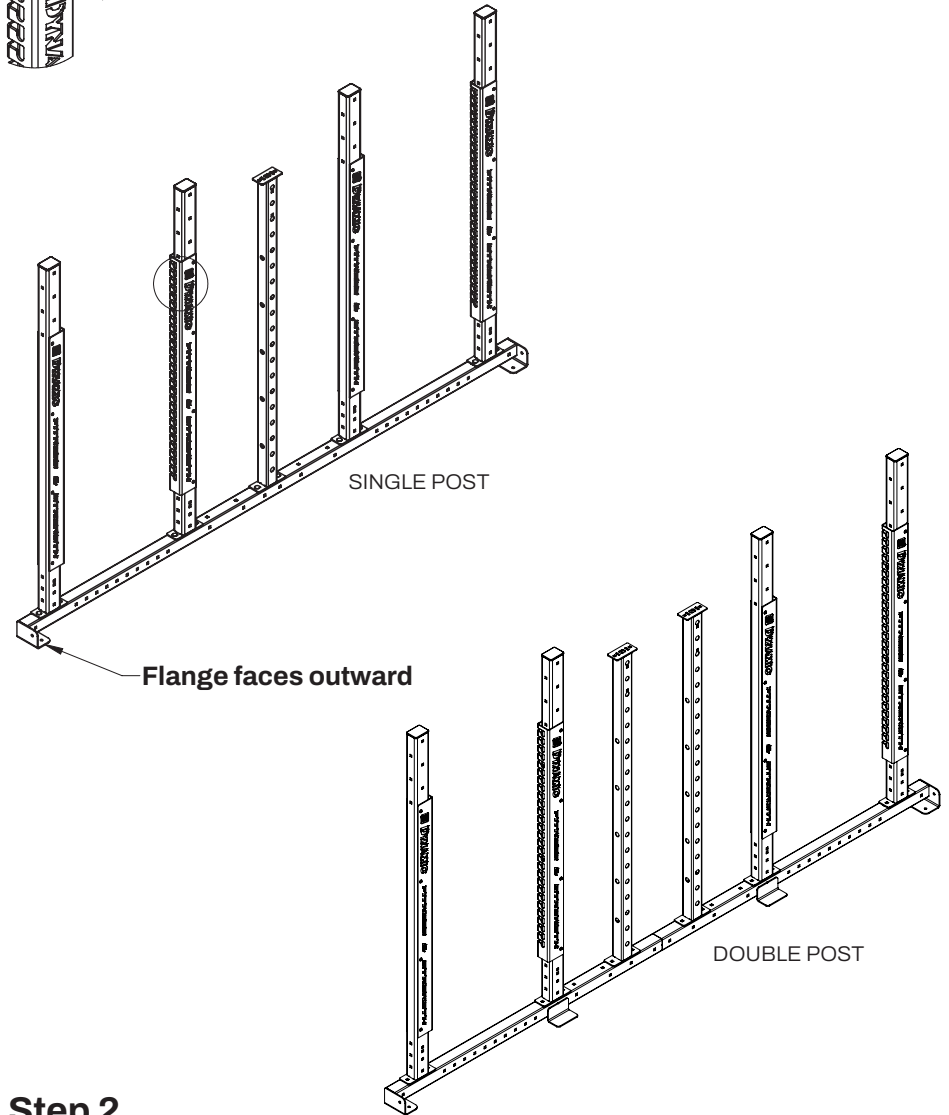
MOUNT IN LOCATIONS (10) & (11) FROM END OF BASE TUBE



Step 1

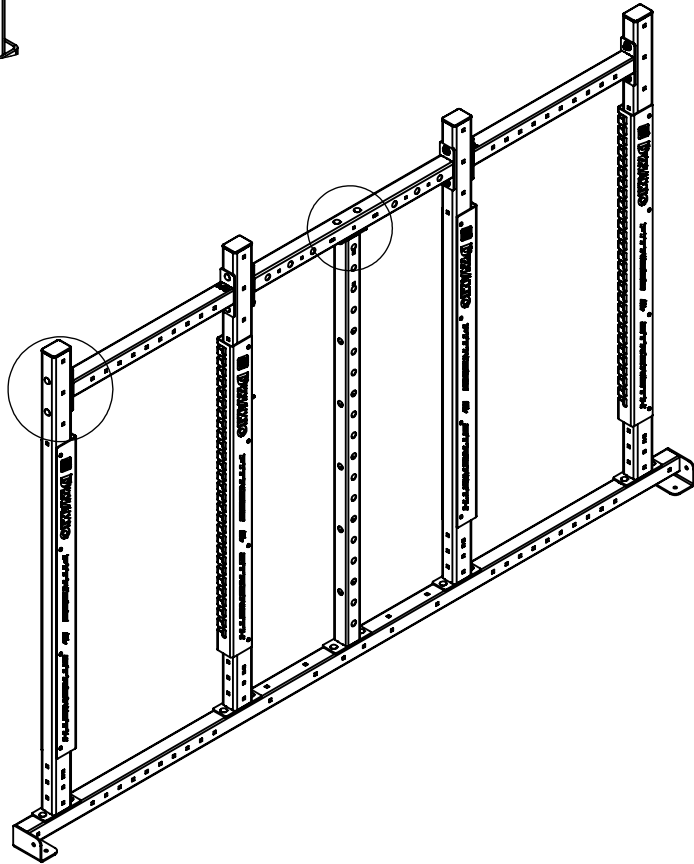
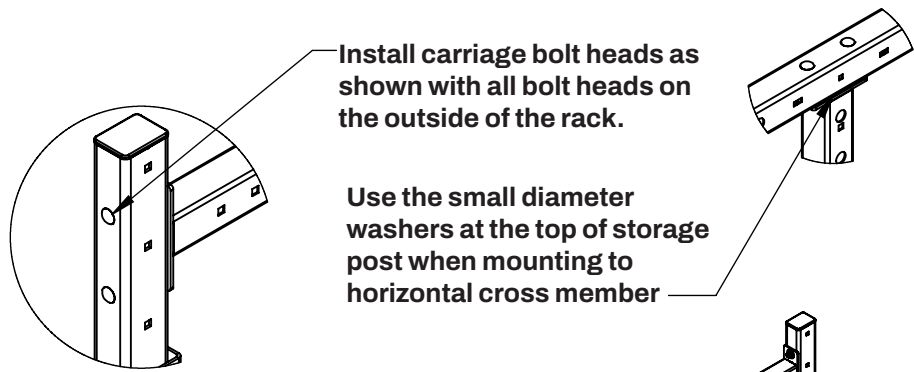
Attach storage post to base as shown using carriage bolts. Install bolts into storage post flange and then through base tube. Bolt head on top of flange with nut mounted under base tube. To ease assembly lay the rack components out horizontally on the floor. Repeat for left side.

The mounting access for bar catch and safety must be to inside of rack as shown.
Note: TITAN G2 Series will not have an upright wrap as shown.



Step 2

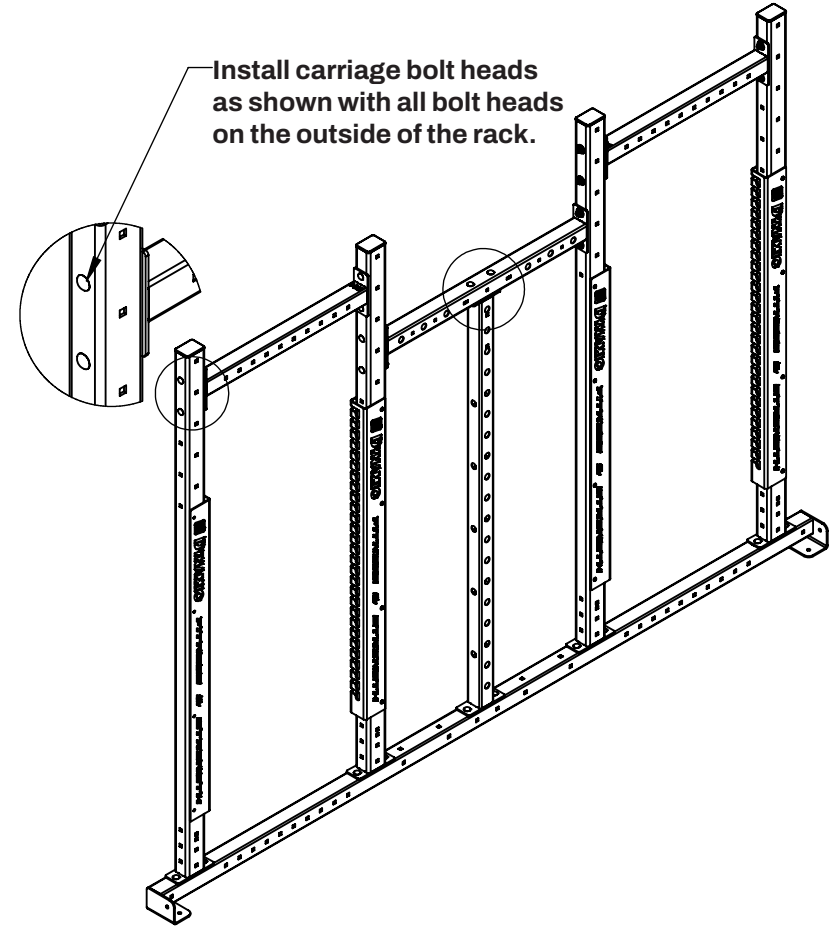
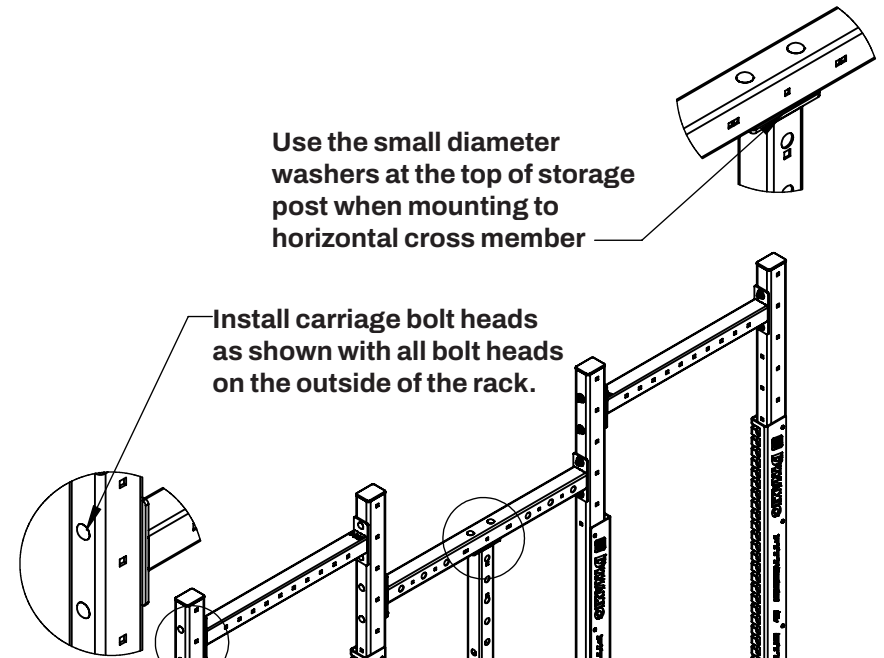
Attach working uprights to right base as shown. ULTRA PRO™ will mount at first location from end of base tube, TITAN G2 will mount at second location. Repeat on left side.



Step 3 A

Attach horizontal cross members to storage posts and 8' front uprights. Repeat for left side.

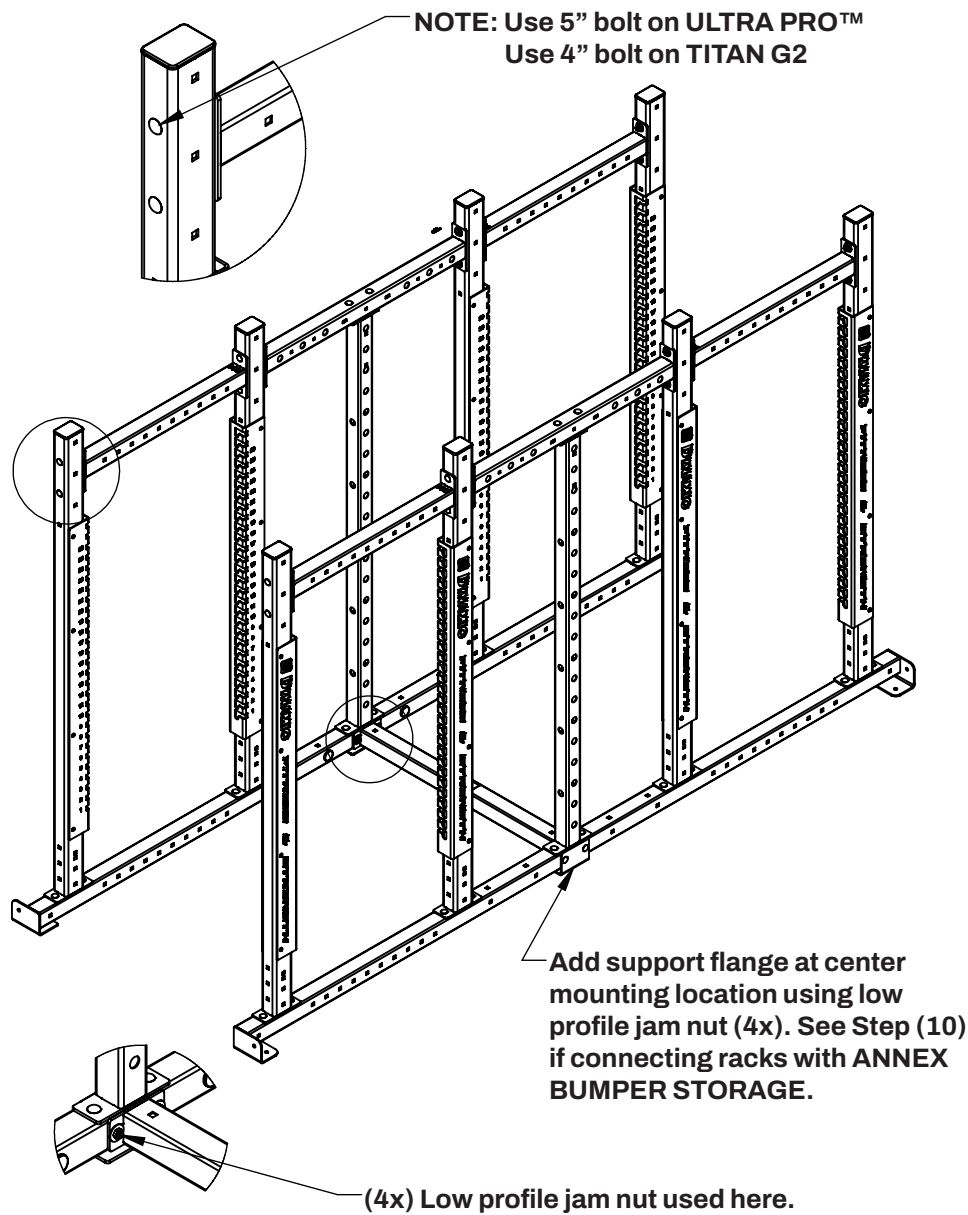
Note: Use small diameter washers at top plate when mounting storage post to horizontal.



Step 3 B

Attach horizontal cross members to storage posts and 9' front uprights. Repeat for left side.

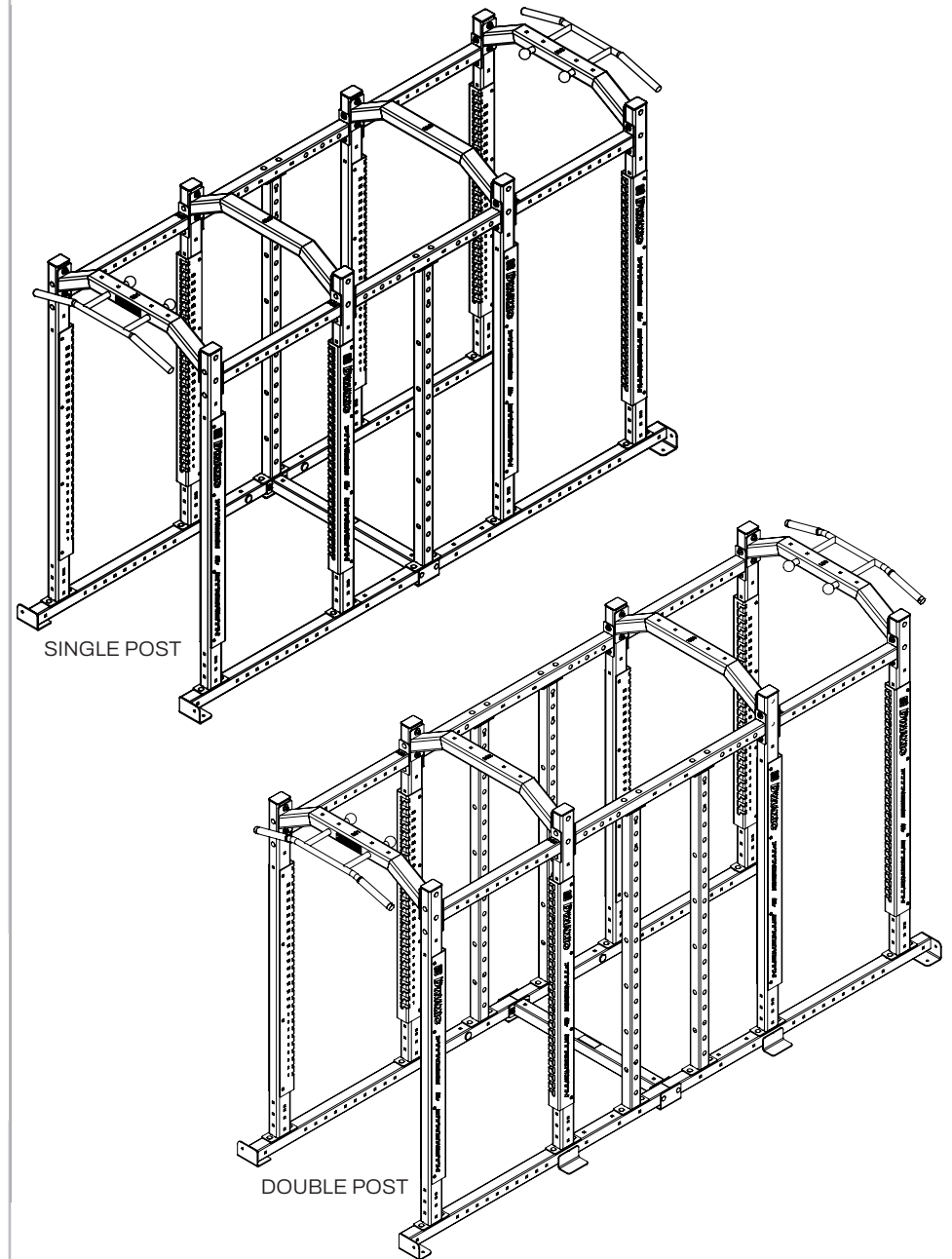
Note: Use small diameter washers at top plate when mounting storage post to horizontal.



Step 4

Attach right half to left half as shown using horizontal base tube and center mounting flanges.

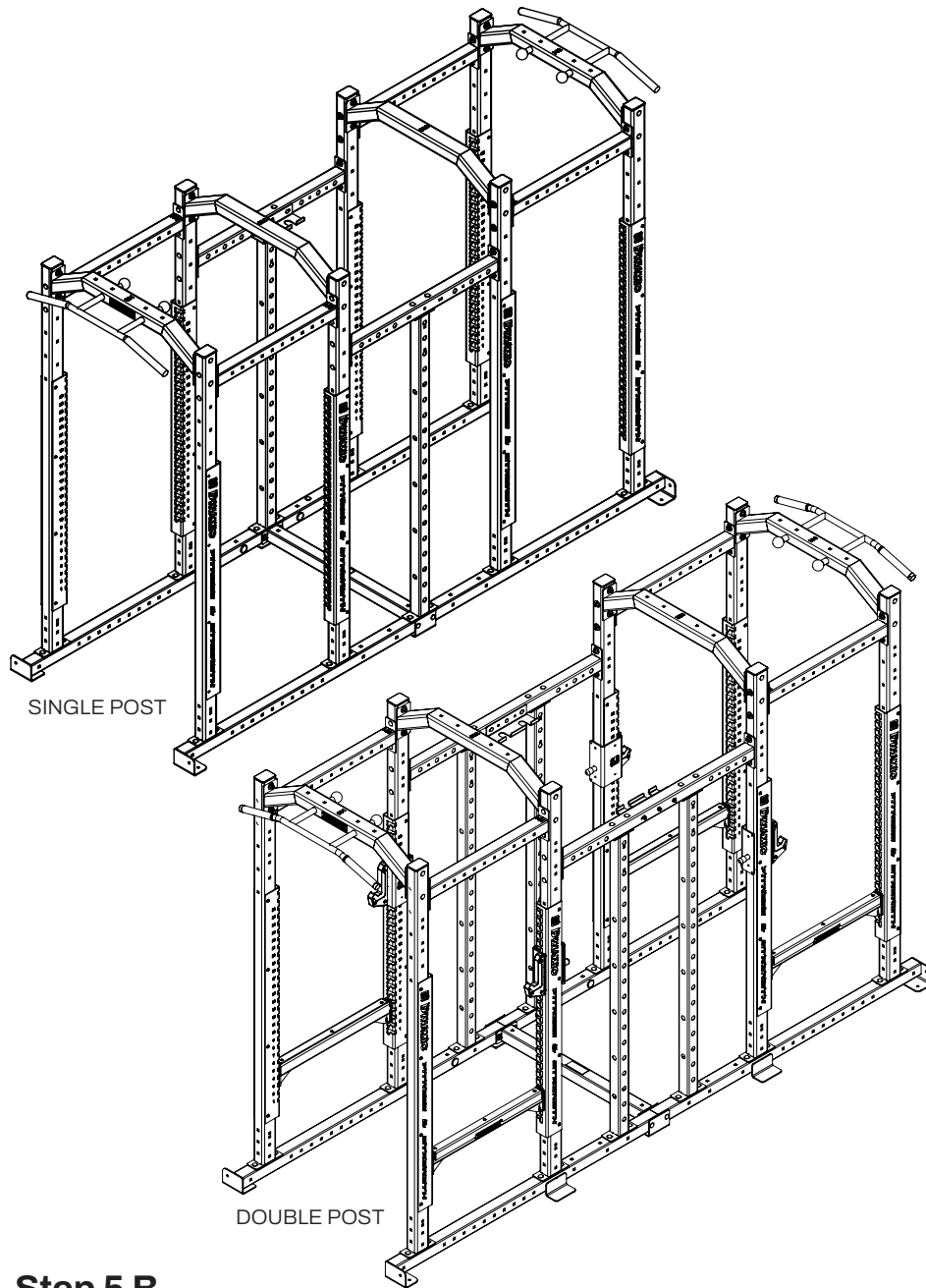
Note: The carriage bolt heads on outside of rack with low profile jam nut on inside



Step 5 A

Attach horizontal chin up bars between left and right 8' uprights as shown. This bar may vary based on your model.

Note: This step requires two people to lift and fasten.

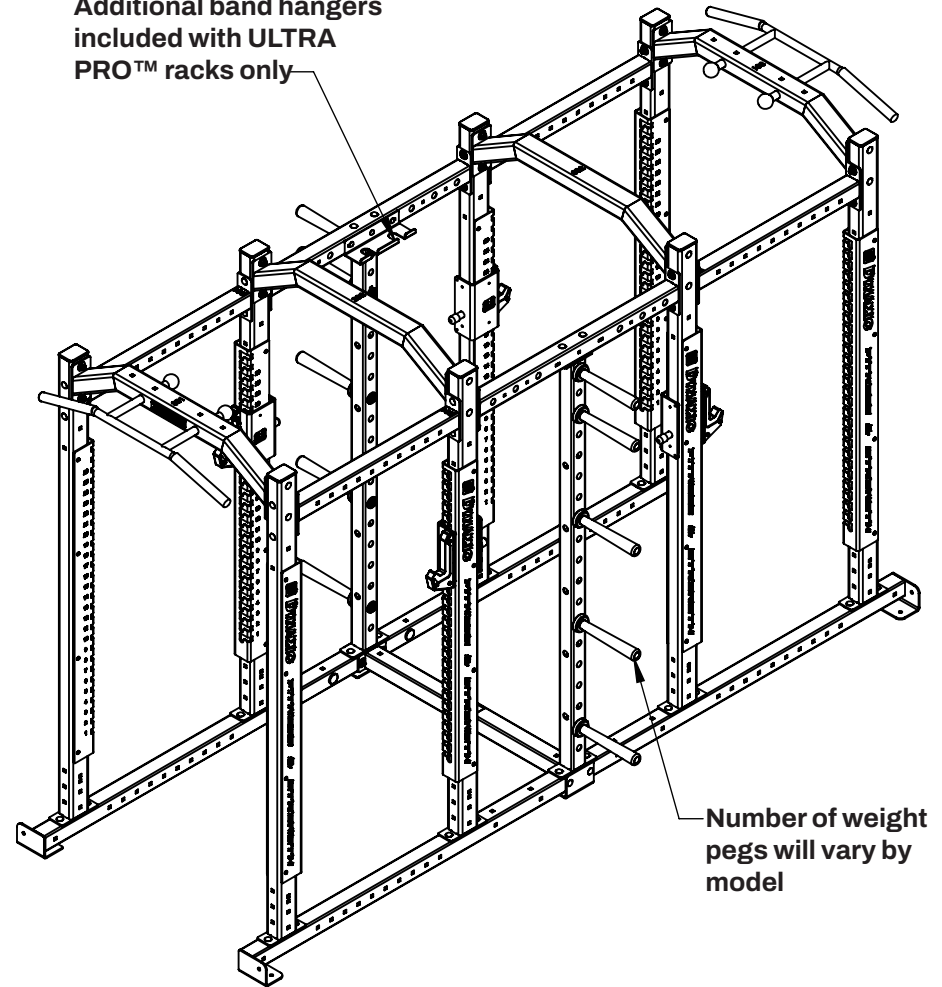


Step 5 B

Attach horizontal chin up bars between left and right 9' uprights as shown. This bar may vary based on your model.

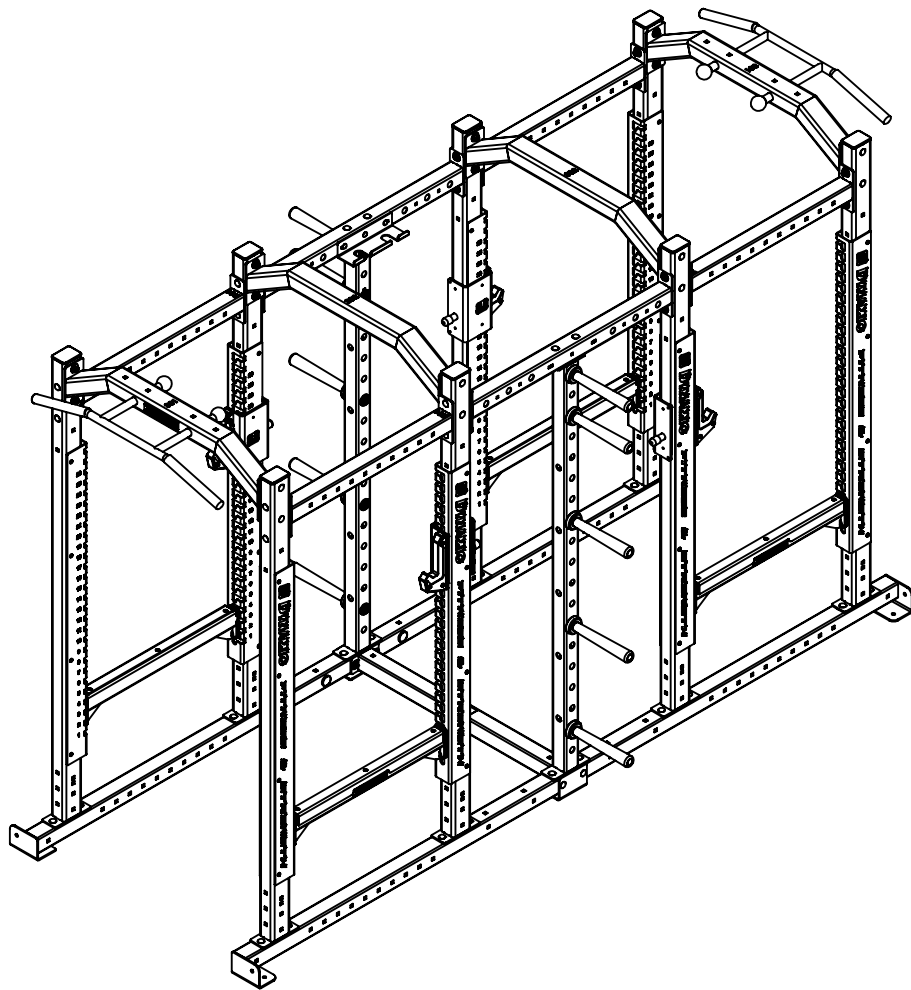
Note: This step requires two people to lift and fasten.

Mount bar hanger to center of horizontal. Additional band hangers included with ULTRA PRO™ racks only



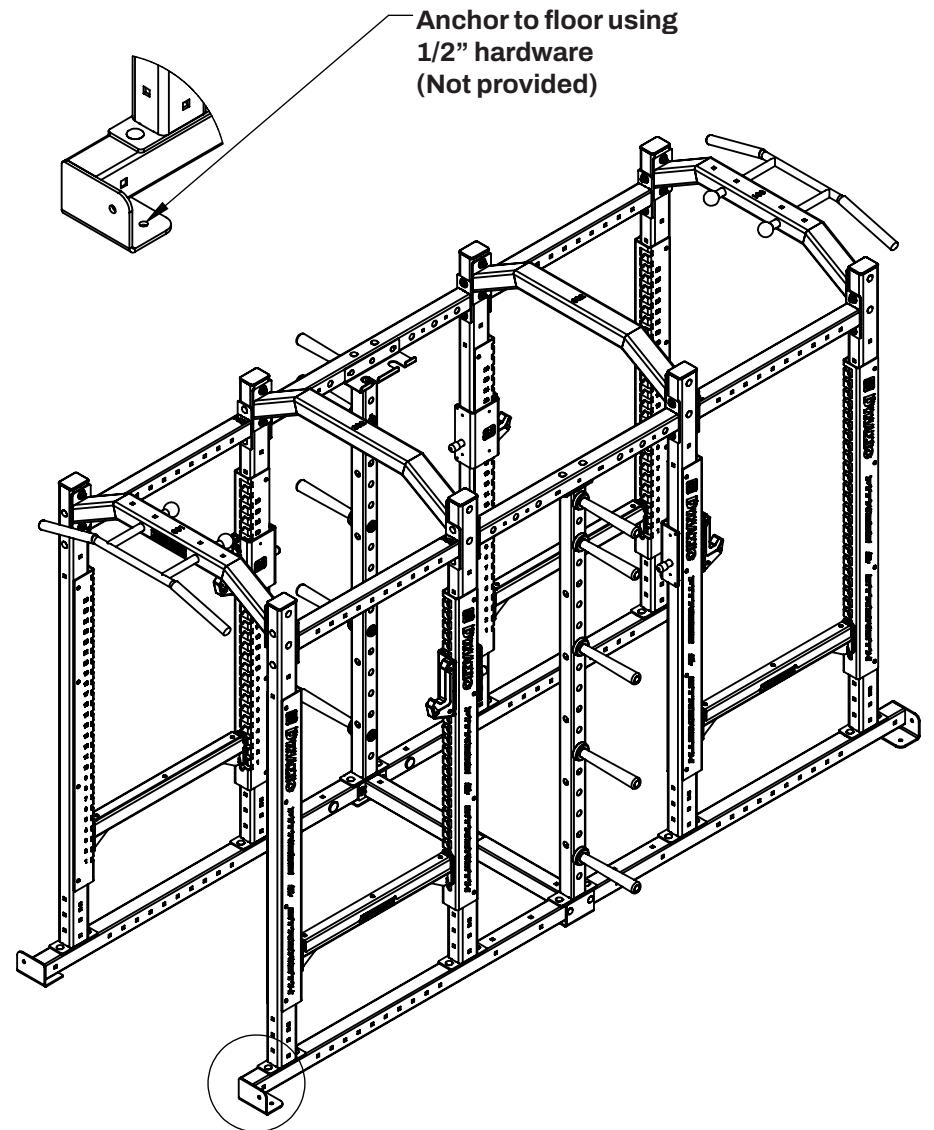
Step 6

Mount weight pegs in desired locations. The recommended spacing between each peg is (4) holes as shown. Install bar hangers and optional band storage hooks.



Step 7

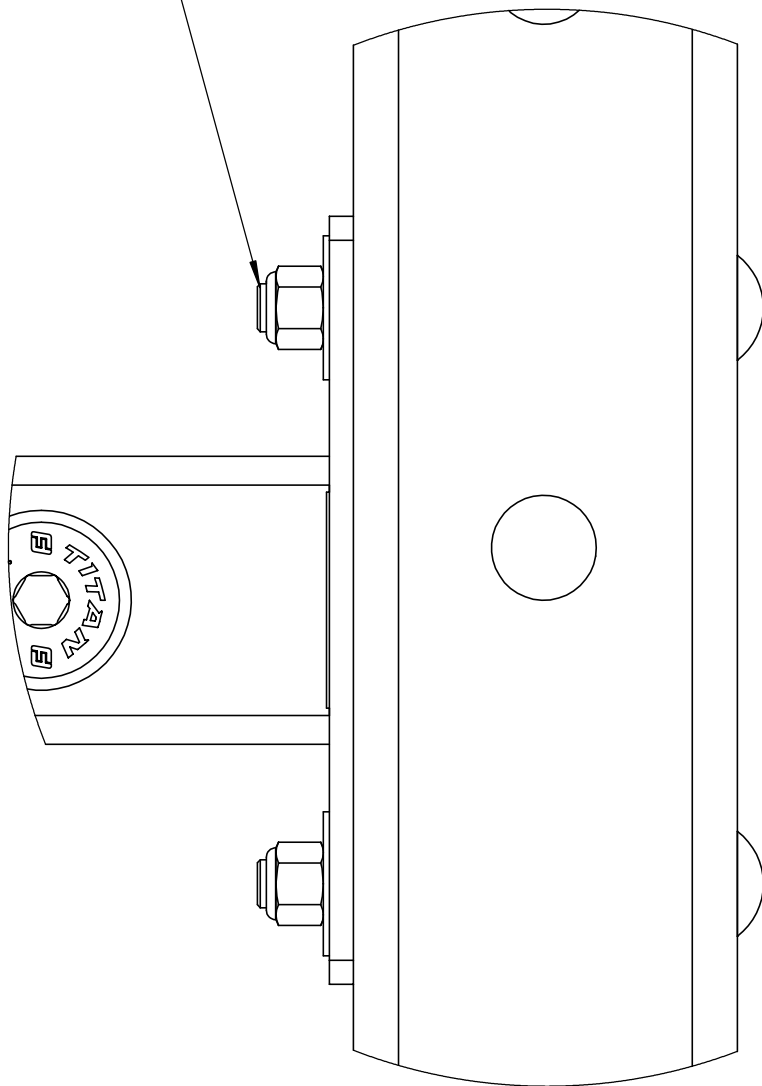
Mount bar catch and safety assemblies to rack at desired location.



Step 8

Position rack in final location and anchor to floor using available holes on each base.

End of bolt **MUST** extend beyond nut face at all locations.



Step 9

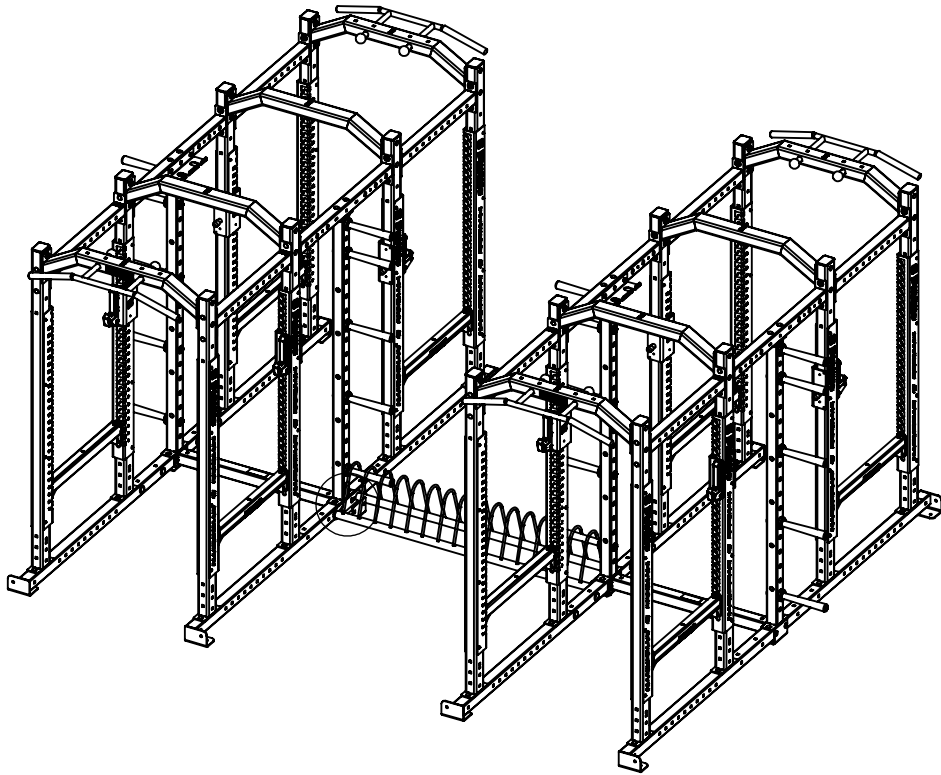
Tighten each hardware connection. The end of each bolt should extend beyond nylock nut face as shown.

DO NOT COLLAPSE TUBING FROM OVER TIGHTENING HARDWARE.

Maintenance

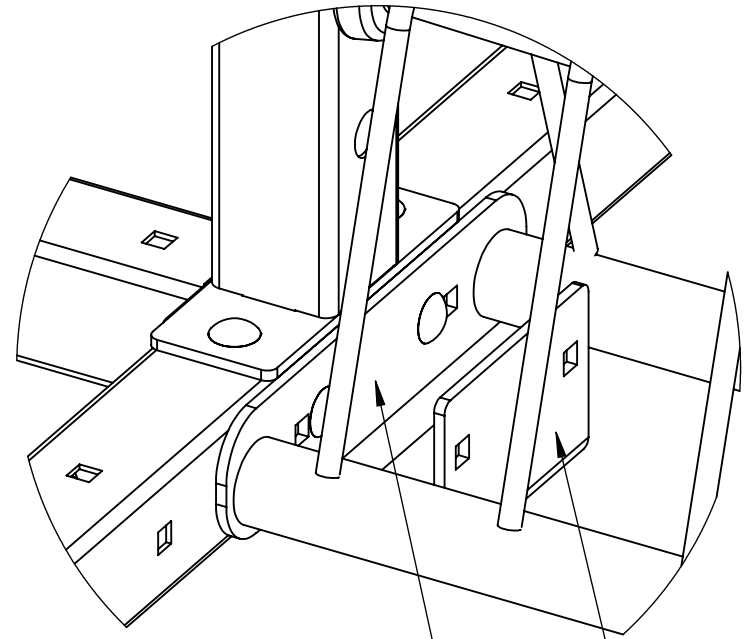
Preventative actions will keep your facility safe and productive for all users

- 1) Wipe Down Equipment
Use general purpose cleaner.
Avoid Bleach based solutions.
- 2) Lubricate All Moving Parts
Use a silicone spray and clean rag to apply.
- 3) Tighten All Hardware
Inspect the condition of all hardware and tighten loose fasteners.
- 4) Inspect Wear Guards
To prevent metal to metal contact with components keep wear surfaces protected.
- 5) Replace All Worn Parts



Step 10 (Optional)

Connecting Bumper Annex storage to single post rack center base support mounts inside storage rack, with flange facing inward.

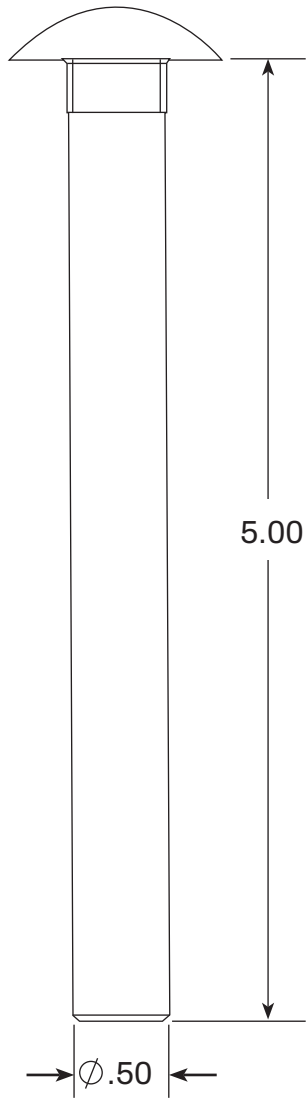


Align bumper storage with base tube

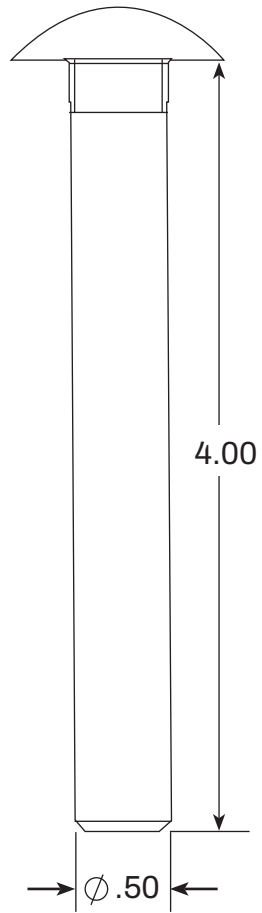
Align support flange with bumper storage plate. Insert bolt through all. Attach with low profile jam nut and 4-1/2" long carriage bolt. (BK-ANNEX7)

HARDWARE PACK CONTENTS
QUANTITIES VARY BY MODEL

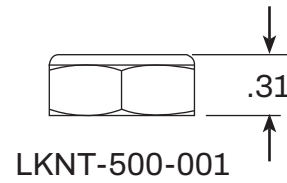
**DOUBLE POWER RACK
SINGLE & DOUBLE POST
INSTRUCTION SHEET**



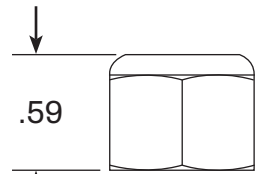
CAIR-500-002



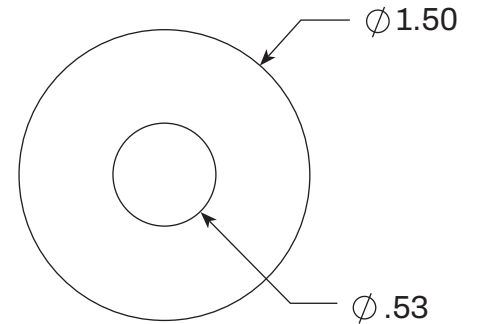
CAIR-500-001



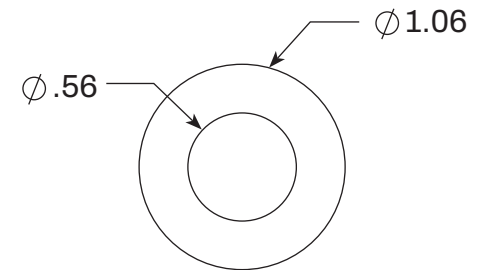
LKNT-500-001



LKNT-500-002



FLW-500-001



FLW-500-002